

# WSP™ Self-Primer Pump

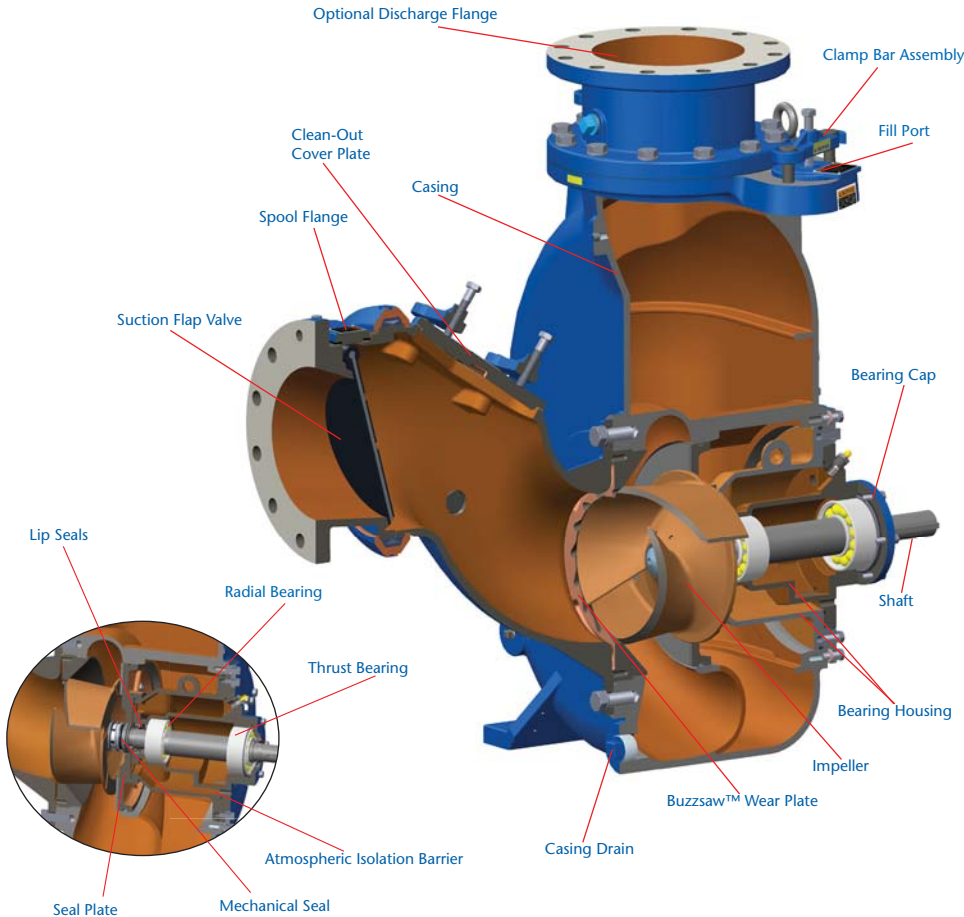
Solids Handling Self-Primer Pumps



Excellent  
Engineering  
Solutions



**10-WSP** • 10 inch (250 mm)  
Head to 133 ft (41 m) & Flow to 3,200 GPM (727 m<sup>3</sup>/hr)



### Optional Equipment and Materials

- Hi-Chrome, CD4MCu fitted
- Automatic air release valve
- 120V/240V casing heater
- High pump temperature shutdown kit
- Gauge kit
- NPT & DIN suction and discharge flanges
- Other elastomers available
- TC/TC seal faces

### Seal Specifications

- Mechanical oil-lubricated
- Double floating
- Self-aligning
- Silicone carbide rotating and stationary faces
- Stainless steel metal components

Maximum temperature of liquid pumped  
180°F/83°C.

*Note:* Consult factory for applications exceeding maximum pressure and/or temperature indicated.

| Pump Size          | 10 x 10 in (250 x 250 mm) ANSI/DIN   |                                 |   |
|--------------------|--|---------------------------------|---|
| Pump Casing        | Ductile iron <ul style="list-style-type: none"> <li>• Twice as strong as CI</li> <li>• Higher bursting pressure than CI</li> <li>• Longer wear life than CI</li> </ul> | Impeller                        | Open type, two vane<br>Material: cast steel<br>Max Solids Sphere: 3 in (76.2 mm) <ul style="list-style-type: none"> <li>• Less brittle than ductile iron</li> </ul> |
| Operating Pressure | Maximum 120 psi (827 kPa)  | Impeller Shaft                  | 17-4PH* SST <ul style="list-style-type: none"> <li>• High strength</li> <li>• Corrosion resistance</li> </ul>   |
| Thrust Bearing     | Open single ball   | Bearing/Seal Cavity Lubrication | SAE No. 30 oil  |
| Flanges            | 125# Cast iron ANSI or DIN   | Gaskets                         | Buna-N, compressed synthetic fibers, vegetable fiber, PTFE, cork, and rubber  |
| Wear Plate         | Replaceable<br>Front: Ductile iron<br>Rear: Steel  | O-Rings                         | Buna-N  |
| Suction Inlet      | Removable<br>Cast iron   | Hardware                        | Plated steel/SST  |
| Flap Valve         | Neoprene with steel reinforcing ring   | Pressure Release Valve          | Brass   |
| Bearing Housing    | Ductile iron (wetted)<br>Cast iron (inner)   | Oil Level Sight Gauges          | Bearing and seal cavity   |
| Seal Plate         | Cast iron  | Net Weight                      | 1600 lbs (726 kg)   |
| Shaft Sleeve       | 17-4PH* SST  | Shipping Weight                 | 1660 lbs (753 kg)   |
| Radial Bearing     | Open double ball   | Export Crate                    | 53 ft <sup>3</sup> (1.5 M <sup>3</sup> )  |

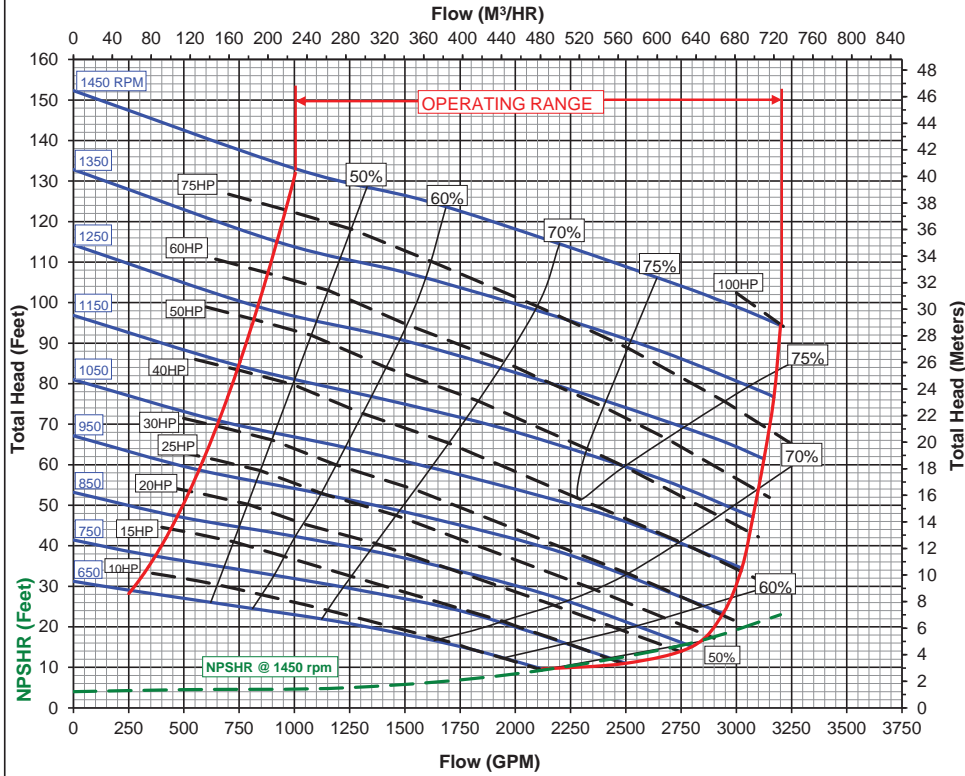
# WSP™ Self-Primer Pump

Solids Handling Self-Primer Pumps

10 x 10 in. (250 x 250 mm) curve



440 W. 800 S. Salt Lake City, Utah 84110  
Phone: (801) 359-8731 Fax: (801) 355-9303



Suction: 10"  
Discharge: 10"  
Impeller Diameter: 14.75"  
Max. Solid Sphere: 3.00"

| REPRIMING LIFTS |      |
|-----------------|------|
| RPM             | FEET |
| 650             | 7    |
| 750             | 11   |
| 850             | 14   |
| 950             | 17   |
| 1050-1150       | 18   |
| 1250            | 19   |
| 1350-1450       | 22   |

Determine NPSHR prior to using repriming table. Do not use available suction lifts.

Clear Water Performance

$$BHP = \frac{GPM \times FT \times SG}{3960 \times \text{Efficiency}}$$

$$KW = \frac{M^3 / HR \times M}{367 \times \text{Efficiency}}$$



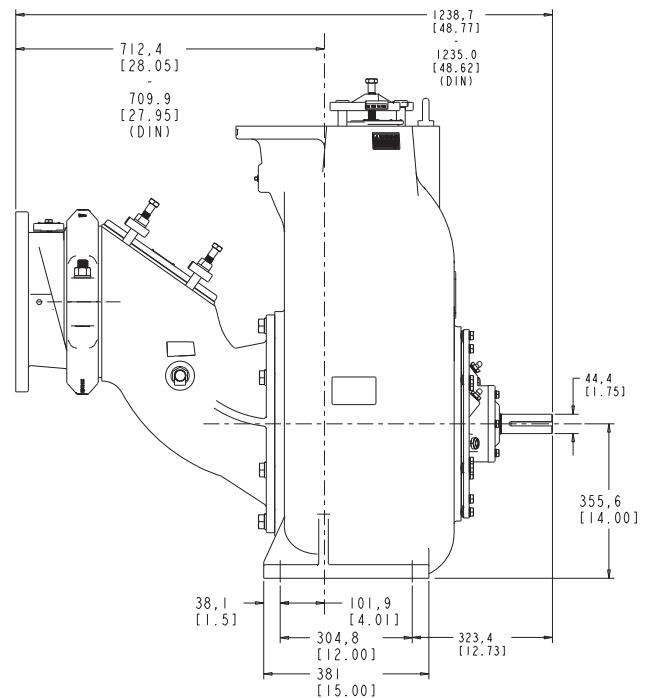
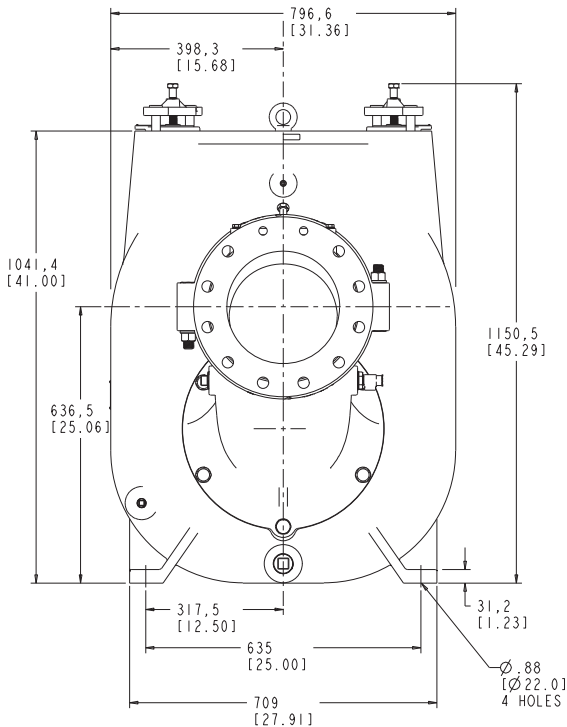
© Copyright All rights reserved 2002

Certified tests are performed using Hydraulic Institute acceptance level B.

November 2014

**RPM  
VARIABLE**

**10-WSP**



## Weir Specialty Pumps

440 West 800 South  
P.O. Box 209 (84110-0209)  
Salt Lake City, UT 84101  
USA

Bulletin: 10-WSP Spec Sheet

Tel: 1 801 359 8731  
Fax: 1 801 530 7828  
email: info@weirsp.com  
www.weirsp.com



**281-612-WRXS (9797)**

Excellent  
Engineering  
Solutions

